

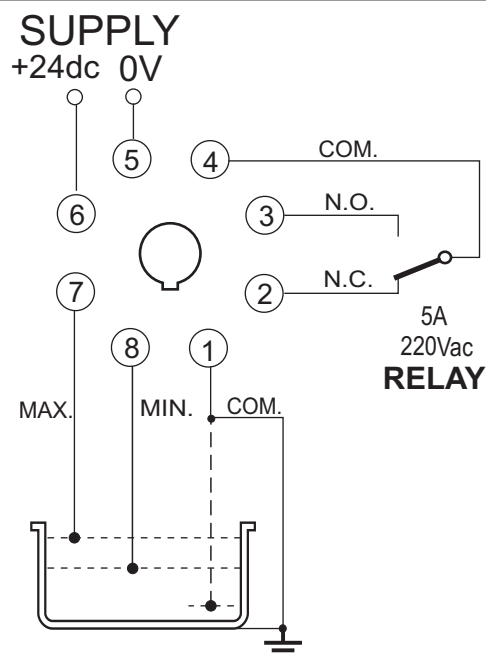
Dimensions mm

TECHNICAL CHARACTERISTICS

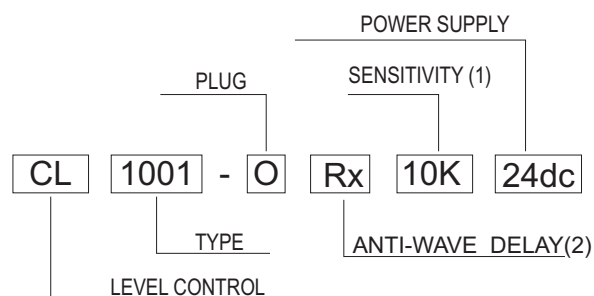
CLL000075 CL1001/O 24Vdc

Supply voltage	CONTINUOUS VOLTAGE	
Operating voltage (residual ripple <10%)	V _{cc}	24
Voltage between the electrodes	V _{ca}	5
Output type	RELAY 1 POLE CHANGEOVER 5A/220Vca	
Absorption	VA	3,5
Anti-wave delay (default)	ms	300
Temperature limits	°C	-20 ÷ +60
IP rating	IP	IP 40
Sensitivity Range	Kohm	0,2 ÷ 1000
Sensitivity Standard	Kohm	2 ÷ 40 Kohm (Adjustable)
Red led status indicator	RELAY ON/OFF STATE	
Socket	OCTAL	
Housing	PLASTIC	

WIRING DIAGRAM



IDENTIFICATION REFERENCE



- (1) Specify only if different from the standard .
- (2) Specify only if required (x = value in sec.)

REFERENCE FOR ORDERING

10 K	(200 ohm ÷ 10 Kohm)	Drinking water, sludge
40K	(2 Kohm ÷ 40Kohm)	Rain water [STANDARD]
200K	(10 Kohm ÷ 200 Kohm)	Distilled water
500K	(10 Kohm ÷ 500 Kohm)	-- (Contact us)
1000K	(10 Kohm ÷ 1000 Kohm)	-- (Contact us)